

DOCUMENT	BXPBAL14014090-A01
VERSION	1.0
FORM	TECHNICAL INFORMATION



ALUMINIUM ENCLOSURE SERIES ALSTER

ORDER NO.: BXPBAL14014090-A01

EAN: 4260543453329



DESCRIPTION

PRODUCTTYPE:	ALUMINIUM ENCLOSURE
OUTER DIMENSIONS:	140x140x90mm
INNER DIMENSIONS:	126x126x82mm (MINUS MOUNTING AREA)
COLOUR:	RAL7001 SILVER GREY
WEIGHT:	1290g
MATERIALS:	ALUMINIUM
MATERIAL SEAL:	PU FOAMED
SCOPE OF DELIVERY:	UPPER AND LOWER PART, NON-RUSTING COVER SCREWS, GROUND SCREWS

TECHNICAL DATA

PROTECTION DEGREE:	IP 66 as per DIN EN 60529/DIN 40050
IMPACT RESISTANCE:	IK09
OPERATING TEMPERATURE:	-40 °C ... +100°C as per DIN EN 60670
RESISTANCE:	ALKALI, OILS, SALTS, ETC.
APPROVAL:	CE, ROHS

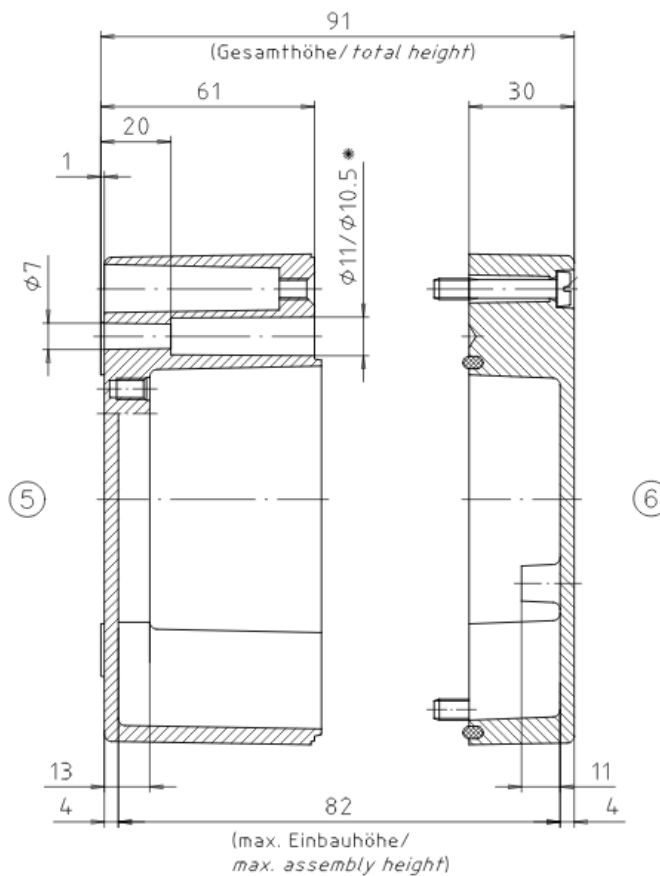
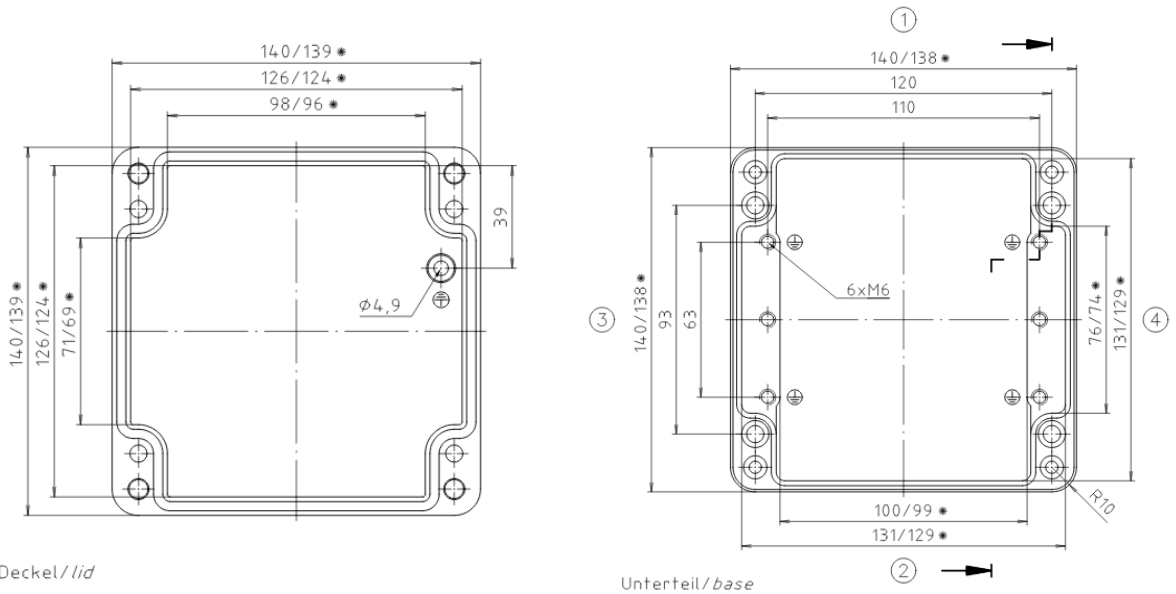
ACCESSORIES

MOUNTING PLATE:	AVAILABLE
MOUNTING RAIL:	AVAILABLE
CABEL GLAND:	AVAILABLE
MOUNTING BRACKETS:	AVAILABLE

RESTRICTED INFORMATION HANDED OUT BY BREUELL INGENIEURBÜRO GMBH. ANY UNAUTHORISED COPYING, DISCLOSURE OR DISTRIBUTION OF THE MATERIAL IN THIS DOCUMENT IS STRICTLY FORBIDDEN. PRIOR ACKNOWLEDGEMENT REQUESTED.

DOCUMENT	BXPBAL14014090-A01
VERSION	1.0
FORM	TECHNICAL INFORMATION

TECHNICAL DRAWING



RESTRICTED INFORMATION HANDED OUT BY BREUELL INGENIEURBÜRO GMBH. ANY UNAUTHORISED COPYING, DISCLOSURE OR DISTRIBUTION OF THE MATERIAL IN THIS DOCUMENT IS STRICTLY FORBIDDEN. PRIOR ACKNOWLEDGEMENT REQUESTED.