

|          |                       |
|----------|-----------------------|
| DOCUMENT | BXPBAL330230111-A01   |
| VERSION  | 1.0                   |
| FORM     | TECHNICAL INFORMATION |



## ALUMINIUM ENCLOSURE SERIES ALSTER

ORDER NO.: BXPBAL330230111-A01

EAN: 4260543453411



### DESCRIPTION

---

|                           |   |
|---------------------------|---|
| <b>PRODUCTTYPE:</b>       | ALUMINIUM ENCLOSURE   |
| <b>OUTER DIMENSIONS:</b>  | 330x230x111 mm  |
| <b>INNER DIMENSIONS:</b>  | 315x215x102 mm (MINUS MOUNTING AREA)                            |
| <b>COLOUR:</b>            | RAL7001 SILVER GREY   |
| <b>WEIGHT:</b>            | 4270g   |
| <b>MATERIALS:</b>         | ALUMINIUM   |
| <b>MATERIAL SEAL:</b>     | PU FOAMED   |
| <b>SCOPE OF DELIVERY:</b> | UPPER AND LOWER PART, NON-RUSTING<br>COVER SCREWS, GOUND SCREWS |

### TECHNICAL DATA

---

|                               |                                       |
|-------------------------------|---------------------------------------|
| <b>PROTECTION DEGREE:</b>     | IP 66 as per DIN EN 60529/DIN 40050   |
| <b>IMPACT RESISTANCE:</b>     | IK09                                  |
| <b>OPERATING TEMPERATURE:</b> | -40 °C ... +100°C as per DIN EN 60670 |
| <b>RESISTANCE:</b>            | ALKALI, OILS, SALTS, ETC.             |
| <b>APPROVAL:</b>              | CE, ROHS                              |

### ACCESSORIES

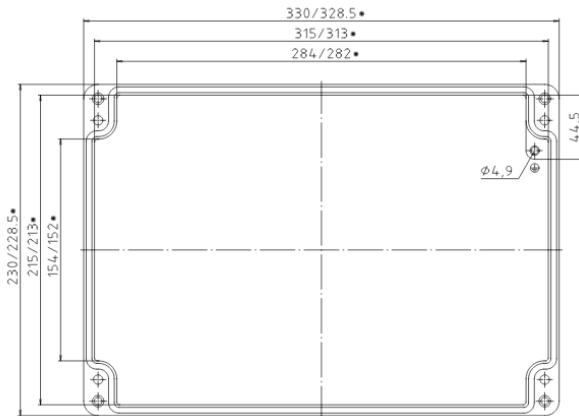
---

|                           |           |
|---------------------------|-----------|
| <b>MOUNTING PLATE:</b>    | AVAILABLE |
| <b>MOUNTING RAIL:</b>     | AVAILABLE |
| <b>CABEL GLAND:</b>       | AVAILABLE |
| <b>MOUNTING BRACKETS:</b> | AVAILABLE |

RESTRICTED INFORMATION HANDED OUT BY BREUELL INGENIEURBÜRO GMBH. ANY UNAUTHORISED COPYING, DISCLOSURE OR DISTRIBUTION OF THE MATERIAL IN THIS DOCUMENT IS STRICTLY FORBIDDEN. PRIOR ACKNOWLEDGEMENT REQUESTED.

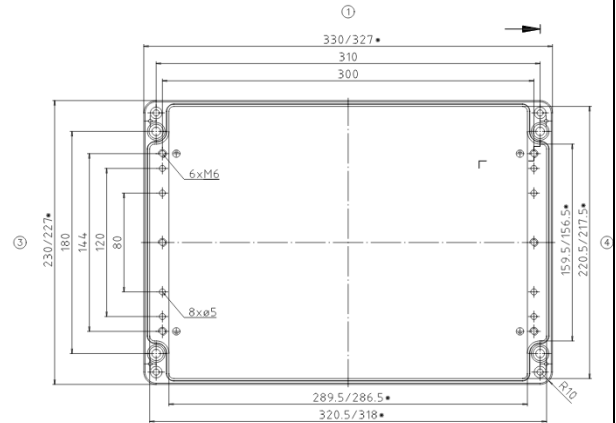
|          |                       |
|----------|-----------------------|
| DOCUMENT | BXPBAL330230111-A01   |
| VERSION  | 1.0                   |
| FORM     | TECHNICAL INFORMATION |

## TECHNICAL DRAWING

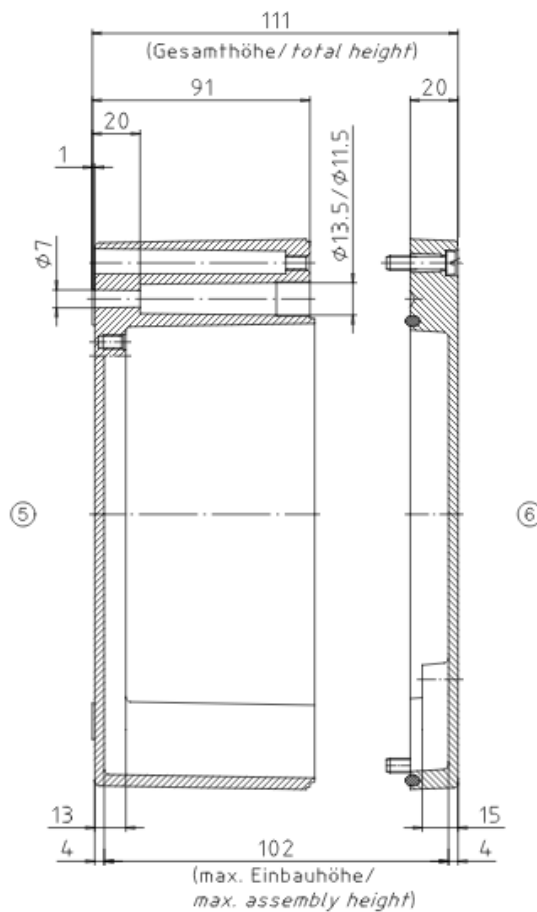


Deckel / lid

①



Unterteil / base



RESTRICTED INFORMATION HANDED OUT BY BREUELL INGENIEURBÜRO GMBH. ANY UNAUTHORISED COPYING, DISCLOSURE OR DISTRIBUTION OF THE MATERIAL IN THIS DOCUMENT IS STRICTLY FORBIDDEN. PRIOR ACKNOWLEDGEMENT REQUESTED.