

| | |
|----------|-----------------------|
| DOCUMENT | BXPBAL400310180-A01 |
| VERSION | 1.0 |
| FORM | TECHNICAL INFORMATION |



ALUMINIUM ENCLOSURE SERIES ALSTER

ORDER NO.: BXPBAL400310180-A01



DESCRIPTION

| | |
|---------------------------|--|
| PRODUCTTYPE: | ALUMINIUM ENCLOSURE |
| OUTER DIMENSIONS: | 400x310x180 mm |
| INNER DIMENSIONS: | 386x295x169,5 mm (MINUS MOUNTING AREA) |
| COLOUR: | RAL7001 SILVER GREY |
| WEIGHT: | 7600g |
| MATERIALS: | ALUMINIUM |
| MATERIAL SEAL: | PU FOAMED |
| SCOPE OF DELIVERY: | UPPER AND LOWER PART, NON-RUSTING COVER SCREWS, GOUND SCREWS |

TECHNICAL DATA

| | |
|-------------------------------|--------------------------------------|
| PROTECTION DEGREE: | IP 66 as per DIN EN 60529/DIN 40050 |
| IMPACT RESISTANCE: | IK09 |
| OPERATING TEMPERATURE: | -40 °C ...+100°C as per DIN EN 60670 |
| RESISTANCE: | ALKALI, OILS, SALTS, ETC. |
| APPROVAL: | CE, ROHS |

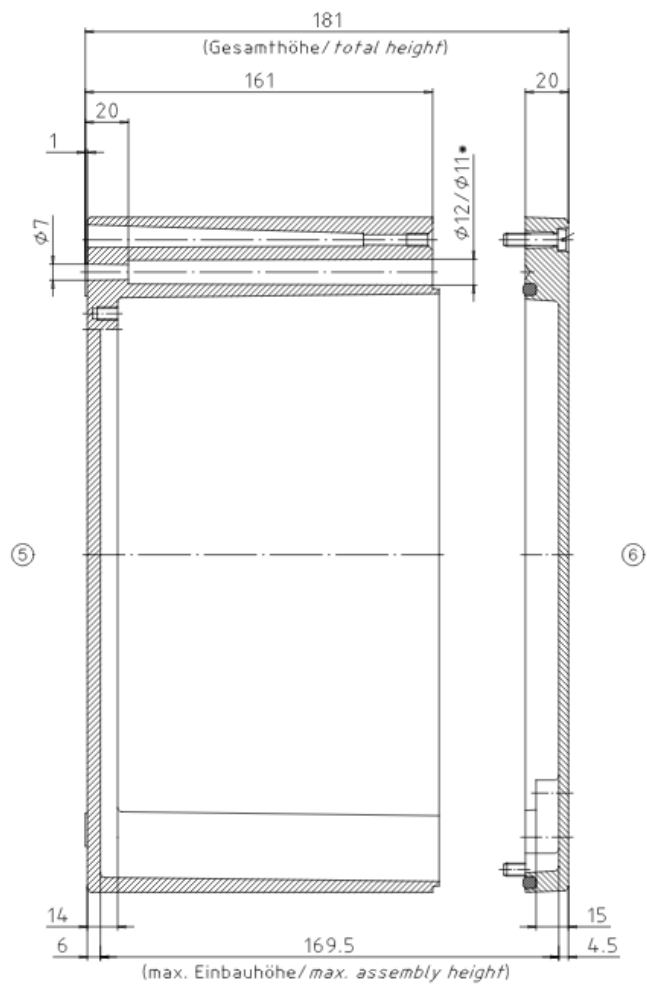
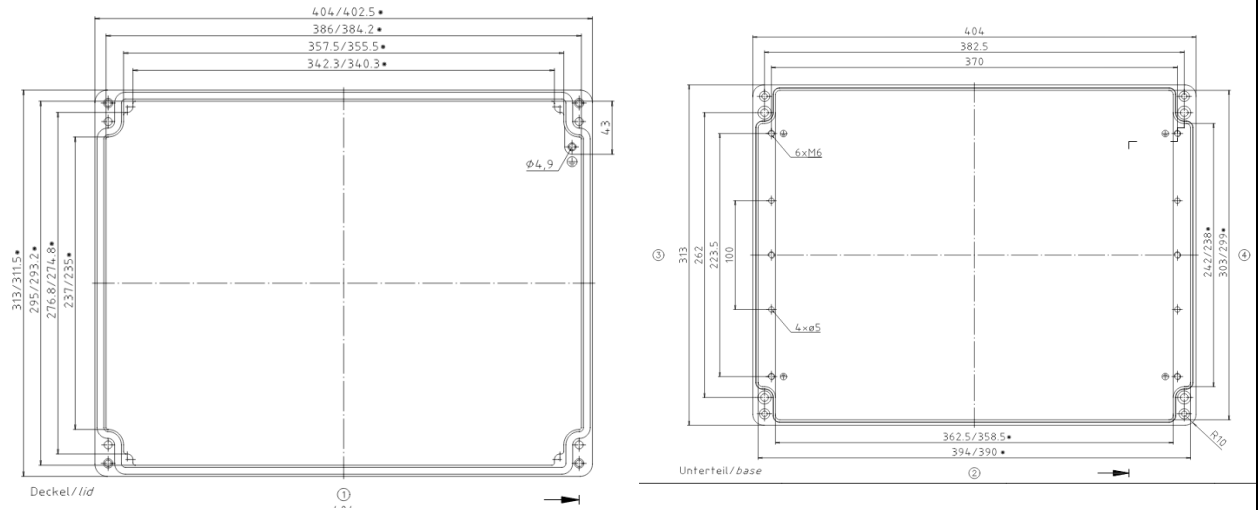
ACCESSORIES

| | |
|---------------------------|-----------|
| MOUNTING PLATE: | AVAILABLE |
| MOUNTING RAIL: | AVAILABLE |
| CABEL GLAND: | AVAILABLE |
| MOUNTING BRACKETS: | AVAILABLE |

RESTRICTED INFORMATION HANDED OUT BY BREUELL INGENIEURBÜRO GMBH. ANY UNAUTHORISED COPYING, DISCLOSURE OR DISTRIBUTION OF THE MATERIAL IN THIS DOCUMENT IS STRICTLY FORBIDDEN. PRIOR ACKNOWLEDGEMENT REQUESTED.

| | |
|----------|-----------------------|
| DOCUMENT | BXPBAL400310180-A01 |
| VERSION | 1.0 |
| FORM | TECHNICAL INFORMATION |

TECHNICAL DRAWING



RESTRICTED INFORMATION HANDED OUT BY BREUELL INGENIEURBÜRO GMBH. ANY UNAUTHORISED COPYING, DISCLOSURE OR DISTRIBUTION OF THE MATERIAL IN THIS DOCUMENT IS STRICTLY FORBIDDEN. PRIOR ACKNOWLEDGEMENT REQUESTED.