

DOCUMENT	BXPBABS16012090-E01
VERSION	1.0
FORM	TECHNICAL INFORMATION



## INDUSTRIAL ENCLOSURE SERIES ELBE

ORDER NO.: BXPBABS16012090-E01

EAN: 4260543450229



### DESCRIPTION

<b>PRODUCTTYPE:</b>	INDUSTRIAL ENCLOSURE
<b>OUTER DIMENSIONS:</b>	160x120x90 mm
<b>INNER DIMENSIONS:</b>	154x114x83,5 mm (MINUS MOUNTING AREA)
<b>COLOUR:</b>	RAL7015 SLATE GREY
<b>WEIGHT:</b>	345g
<b>MATERIALS:</b>	ABS
<b>SCOPE OF DELIVERY:</b>	UPPER AND LOWER PART, NON-RUSTING COVER SCREWS

### TECHNICAL DATA

<b>PROTECTION DEGREE:</b>	IP65 as per DIN EN 60529/DIN 40050
<b>IMPACT RESISTANCE:</b>	IK 07
<b>OPERATING TEMPERATURE:</b>	-20°C ... +65°C WITHOUT MECHANICAL LOAD
<b>RESISTANCE:</b>	ALKALI, OILS, SALTS, ETC.
<b>APPROVAL:</b>	CE, ROHS, REACH

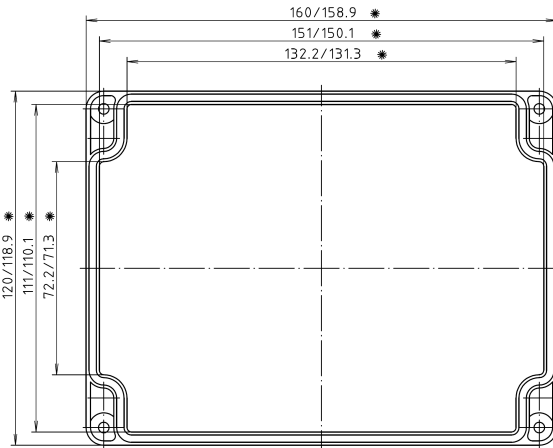
### ACCESSORIES

<b>MOUNTING PLATE:</b>	AVAILABLE
<b>MOUNTING RAIL:</b>	AVAILABLE
<b>CABEL GLAND:</b>	AVAILABLE

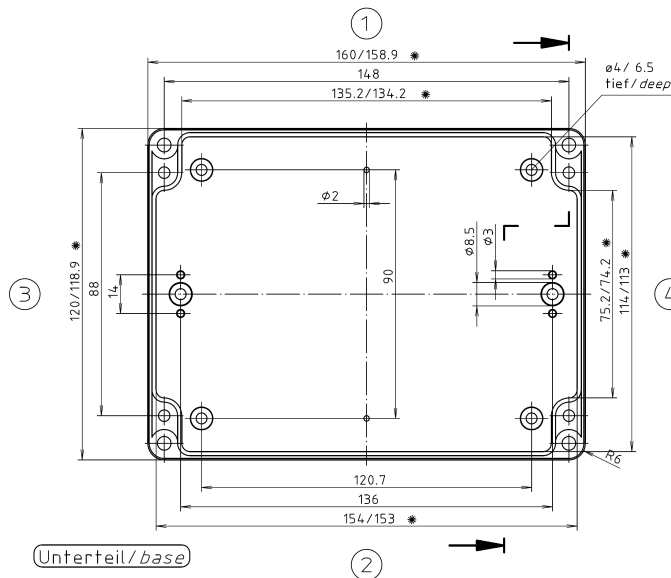
RESTRICTED INFORMATION HANDED OUT BY BREUELL INGENIEURBÜRO GMBH. ANY UNAUTHORISED COPYING, DISCLOSURE OR DISTRIBUTION OF THE MATERIAL IN THIS DOCUMENT IS STRICTLY FORBIDDEN. PRIOR ACKNOWLEDGEMENT REQUESTED.

DOCUMENT	BXPBABS16012090-E01
VERSION	1.0
FORM	TECHNICAL INFORMATION

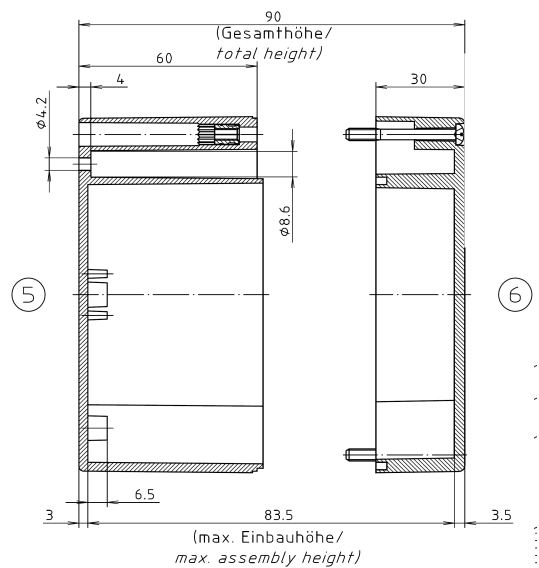
## TECHNICAL DRAWING



Deckel / lid



Unterteil / base



(max. Einbauhöhe/  
max. assembly height)

RESTRICTED INFORMATION HANDED OUT BY BREUELL INGENIEURBÜRO GMBH. ANY UNAUTHORISED COPYING, DISCLOSURE OR DISTRIBUTION OF THE MATERIAL IN THIS DOCUMENT IS STRICTLY FORBIDDEN. PRIOR ACKNOWLEDGEMENT REQUESTED.