

| | |
|----------|-----------------------|
| DOCUMENT | BXPFBABSG11011065-S02 |
| VERSION | 1.0 |
| FORM | TECHNICAL INFORMATION |



INDUSTRIAL ENCLOSURE SERIES ST.PAULI

ORDER NO.: BXPFBABSG11011065-S02

EAN: 4260543450304



DESCRIPTION

| | |
|---------------------------|---|
| PRODUCTTYPE: | INDUSTRIAL ENCLOSURE |
| OUTER DIMENSIONS: | 240x191x107 mm |
| INNER DIMENSIONS: | 104x104x53 mm (MINUS MOUNTING AREA) |
| BASE: | METRIC PRE-STAMPING |
| COLOUR: | RAL7035 LIGHT GREY |
| WEIGHT: | 500g |
| MATERIALS: | ABS |
| SCOPE OF DELIVERY: | UPPER AND LOWER PART, PUR SEAL, SCREWS FOR INSTALLATION PLATE / DIN RAIL, POLYAMIDE COVER SCREWS, INSERT HINGE SET |

TECHNICAL DATA

| | |
|-----------------------------------|--|
| PROTECTION: | IP65 as per DIN EN 60529/DIN 40050 |
| IMPACT RESISTANCE: | IK07 as per IEC 62262, EN 50102 |
| AMBIENT TEMPERATURE RANGE: | -40°C UNTILL +60°C as per DIN EN 60670 |

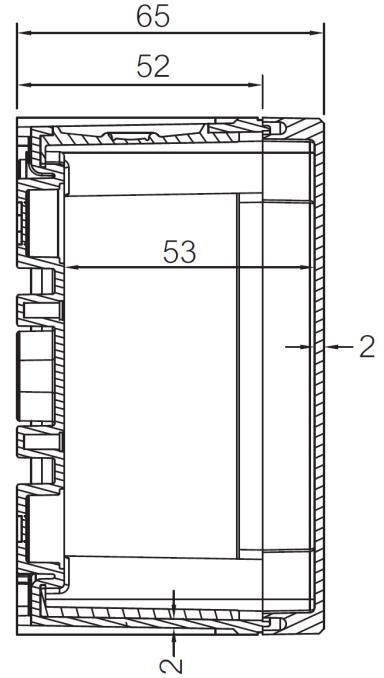
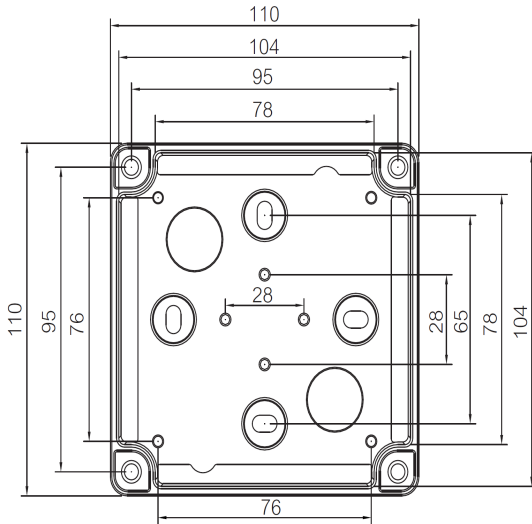
ACCESSORIES

| | |
|------------------------|-----------|
| MOUNTING PLATE: | AVAILABLE |
| MOUNTING RAIL: | AVAILABLE |
| CABEL GLAND: | AVAILABLE |

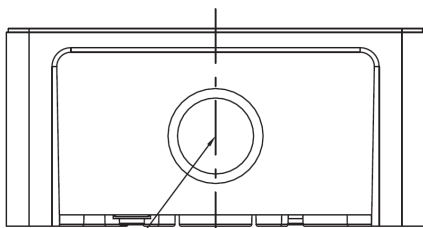
RESTRICTED INFORMATION HANDED OUT BY BREUELL INGENIEURBÜRO GMBH. ANY UNAUTHORISED COPYING, DISCLOSURE OR DISTRIBUTION OF THE MATERIAL IN THIS DOCUMENT IS STRICTLY FORBIDDEN. PRIOR ACKNOWLEDGEMENT REQUESTED.

| | |
|----------|-----------------------|
| DOCUMENT | BXPFBABSG11011065-S02 |
| VERSION | 1.0 |
| FORM | TECHNICAL INFORMATION |

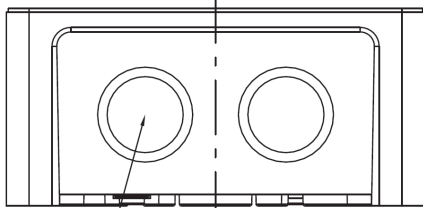
TECHNICAL DRAWING



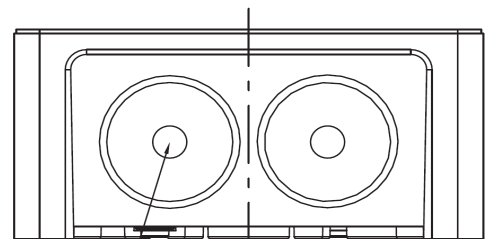
TAM



M25/M20



M25/M20



Membrane for cables 8-16mm

RESTRICTED INFORMATION HANDED OUT BY BREUELL INGENIEURBÜRO GMBH. ANY UNAUTHORISED COPYING, DISCLOSURE OR DISTRIBUTION OF THE MATERIAL IN THIS DOCUMENT IS STRICTLY FORBIDDEN. PRIOR ACKNOWLEDGEMENT REQUESTED.