

DOCUMENT	BXPFABSG1309565-S02
VERSION	1.0
FORM	TECHNICAL INFORMATION



## INDUSTRIAL ENCLOSURE SERIES ST.PAULI

ORDER NO.: BXPFABSG1309565-S02

EAN: 4260543450311



### DESCRIPTION

<b>PRODUCTTYPE:</b>	INDUSTRIAL ENCLOSURE
<b>OUTER DIMENSIONS:</b>	130x95x65 mm
<b>INNER DIMENSIONS:</b>	124x89x53 mm (MINUS MOUNTING AREA)
<b>BASE:</b>	METRIC PRE-STAMPING
<b>COLOUR:</b>	RAL7035 LIGHT GREY
<b>WEIGHT:</b>	170g
<b>MATERIALS:</b>	ABS
<b>SCOPE OF DELIVERY:</b>	UPPER AND LOWER PART, PUR SEAL, SCREWS FOR INSTALLATION PLATE / DIN RAIL, POLYAMIDE COVER SCREWS, INSERT HINGE SET

### TECHNICAL DATA

<b>PROTECTION:</b>	IP65 as per DIN EN 60529/DIN 40050
<b>IMPACT RESISTANCE:</b>	IK07 as per IEC 62262, EN 50102
<b>AMBIENT TEMPERATURE RANGE:</b>	-40°C UNTILL +60°C as per DIN EN 60670

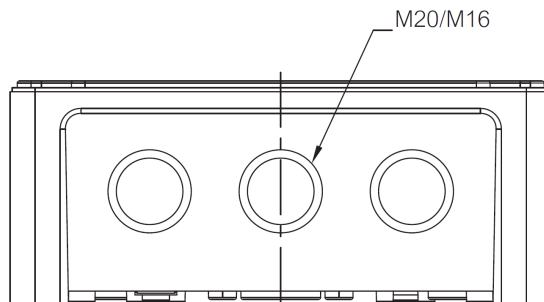
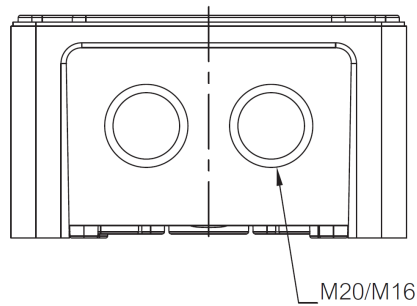
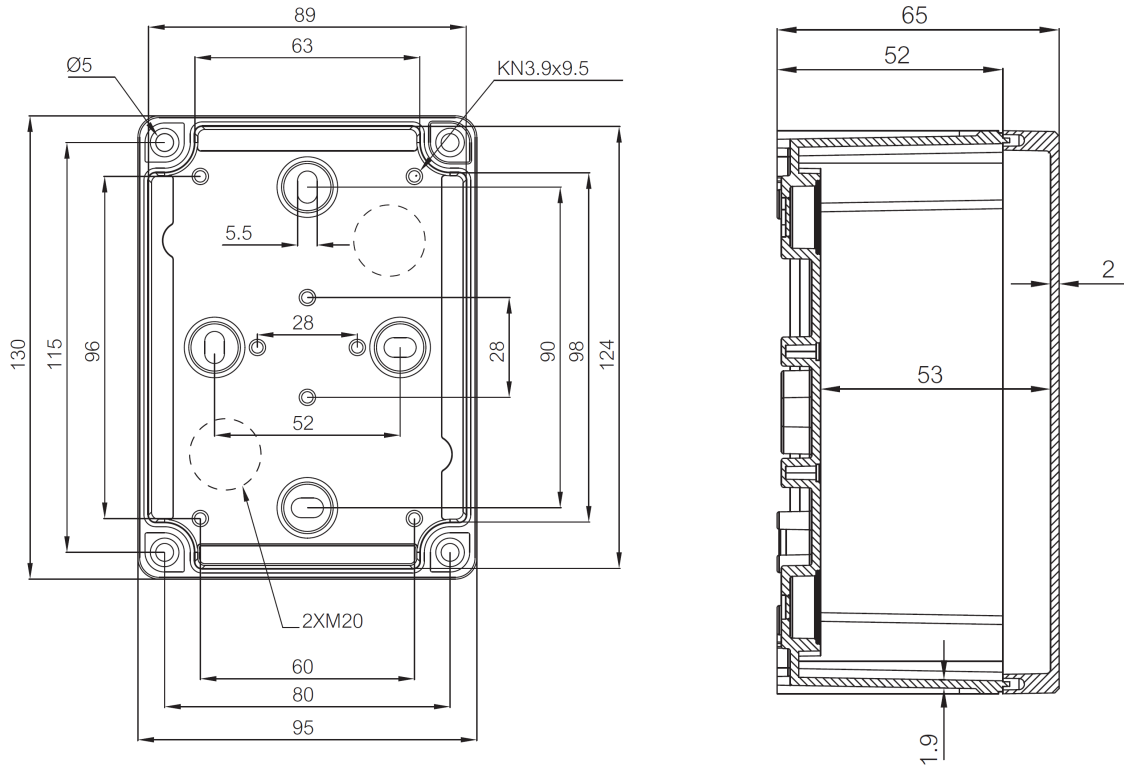
### ACCESSORIES

<b>MOUNTING PLATE:</b>	AVAILABLE
<b>MOUNTING RAIL:</b>	AVAILABLE
<b>CABEL GLAND:</b>	AVAILABLE

RESTRICTED INFORMATION HANDED OUT BY BREUELL INGENIEURBÜRO GMBH. ANY UNAUTHORISED COPYING, DISCLOSURE OR DISTRIBUTION OF THE MATERIAL IN THIS DOCUMENT IS STRICTLY FORBIDDEN. PRIOR ACKNOWLEDGEMENT REQUESTED.

DOCUMENT	BXPFBABSG1309565-S02
VERSION	1.0
FORM	TECHNICAL INFORMATION

## TECHNICAL DRAWING



RESTRICTED INFORMATION HANDED OUT BY BREUELL INGENIEURBÜRO GMBH. ANY UNAUTHORISED COPYING, DISCLOSURE OR DISTRIBUTION OF THE MATERIAL IN THIS DOCUMENT IS STRICTLY FORBIDDEN. PRIOR ACKNOWLEDGEMENT REQUESTED.