

DOCUMENT	BXPFBABSG18712290-S02
VERSION	1.0
FORM	TECHNICAL INFORMATION



INDUSTRIAL ENCLOSURE SERIES ST.PAULI

ORDER NO.: BXPFBABSG18712290-S02

EAN: 4260543450335



DESCRIPTION

PRODUCTTYPE:	INDUSTRIAL ENCLOSURE
OUTER DIMENSIONS:	187x122x90 mm
INNER DIMENSIONS:	177x98x82,5 mm (MINUS MOUNTING AREA)
BASE:	METRIC PRE-STAMPING
COLOUR:	RAL7035 LIGHT GREY
WEIGHT:	250g
MATERIALS:	ABS
SCOPE OF DELIVERY:	UPPER AND LOWER PART, PUR SEAL, SCREWS FOR INSTALLATION PLATE / DIN RAIL, POLYAMIDE COVER SCREWS, INSERT HINGE SET

TECHNICAL DATA

PROTECTION:	IP65 as per DIN EN 60529/DIN 40050
IMPACT RESISTANCE:	IK07 as per IEC 62262, EN 50102
AMBIENT TEMPERATURE RANGE:	-40°C UNTILL +60°C as per DIN EN 60670

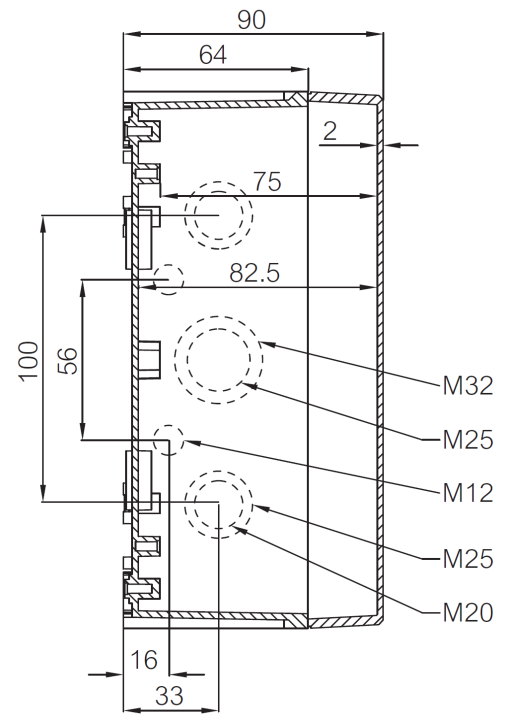
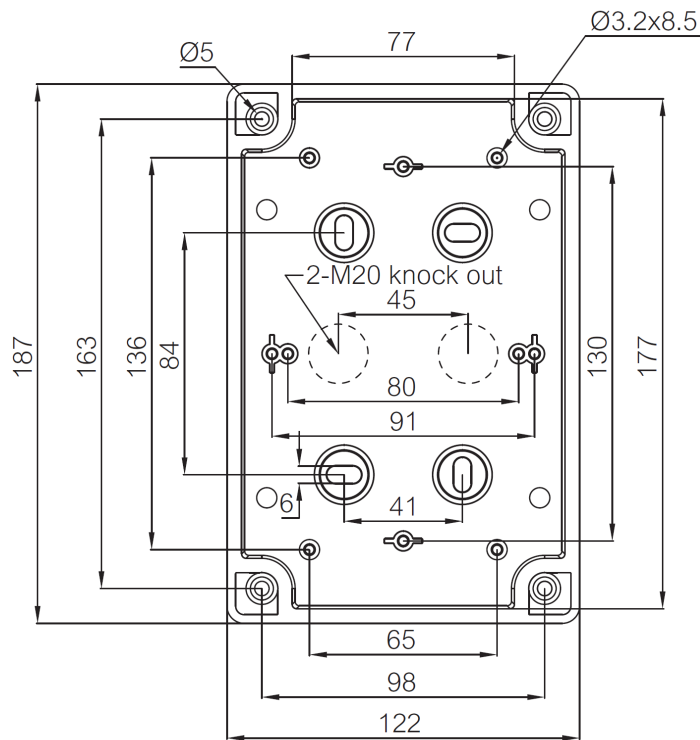
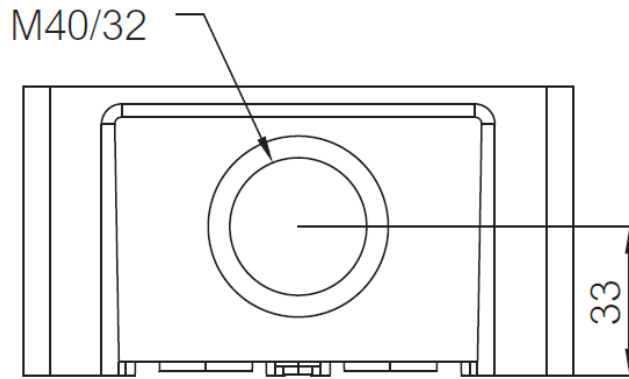
ACCESSORIES

MOUNTING PLATE:	AVAILABLE
MOUNTING RAIL:	AVAILABLE
CABEL GLAND:	AVAILABLE

RESTRICTED INFORMATION HANDED OUT BY BREUELL INGENIEURBÜRO GMBH. ANY UNAUTHORISED COPYING, DISCLOSURE OR DISTRIBUTION OF THE MATERIAL IN THIS DOCUMENT IS STRICTLY FORBIDDEN. PRIOR ACKNOWLEDGEMENT REQUESTED.

DOCUMENT	BXPFBABSG18712290-S02
VERSION	1.0
FORM	TECHNICAL INFORMATION

TECHNICAL DRAWING



RESTRICTED INFORMATION HANDED OUT BY BREUELL INGENIEURBÜRO GMBH. ANY UNAUTHORISED COPYING, DISCLOSURE OR DISTRIBUTION OF THE MATERIAL IN THIS DOCUMENT IS STRICTLY FORBIDDEN. PRIOR ACKNOWLEDGEMENT REQUESTED.