

DOCUMENT	BXPFFPCG180130100-M01
VERSION	1.0
FORM	TECHNICAL INFORMATION



INDUSTRIAL ENCLOSURE SERIES MICHEL

ORDER NO.: BXPFFPCG180130100-M01

EAN: 4260543450373



DESCRIPTION

PRODUCTTYPE:	INDUSTRIAL ENCLOSURE
OUTER DIMENSIONS:	180x130x100 mm
INNER DIMENSIONS:	171x121x95,1 mm (MINUS MOUNTING AREA)
COLOUR:	RAL7035 LIGHT GREY
WEIGHT :	441g
MATERIALS:	POLYCARBONATE
SCOPE OF DELIVERY:	ENCLOSURE WITH COVER, TPE SEAL, SCREWS FOR MOUNTING PLATE/DIN RAIL AND POLYAMIDE COVER SCREWS

TECHNICAL DATA

PROTECTION:	IP 66 / IP 67 AS PER DIN EN 60529/DIN 40050
IMPACT RESISTANCE:	IK08 AS PER IEC 62262, EN 50102
OPERATING TEMPERATURE :	-40°C ... +80°C AS PER DIN EN 60670
RESISTANCE:	ALKALI, OILS, SALTS, ETC.
APPROVAL:	CE, ROHS

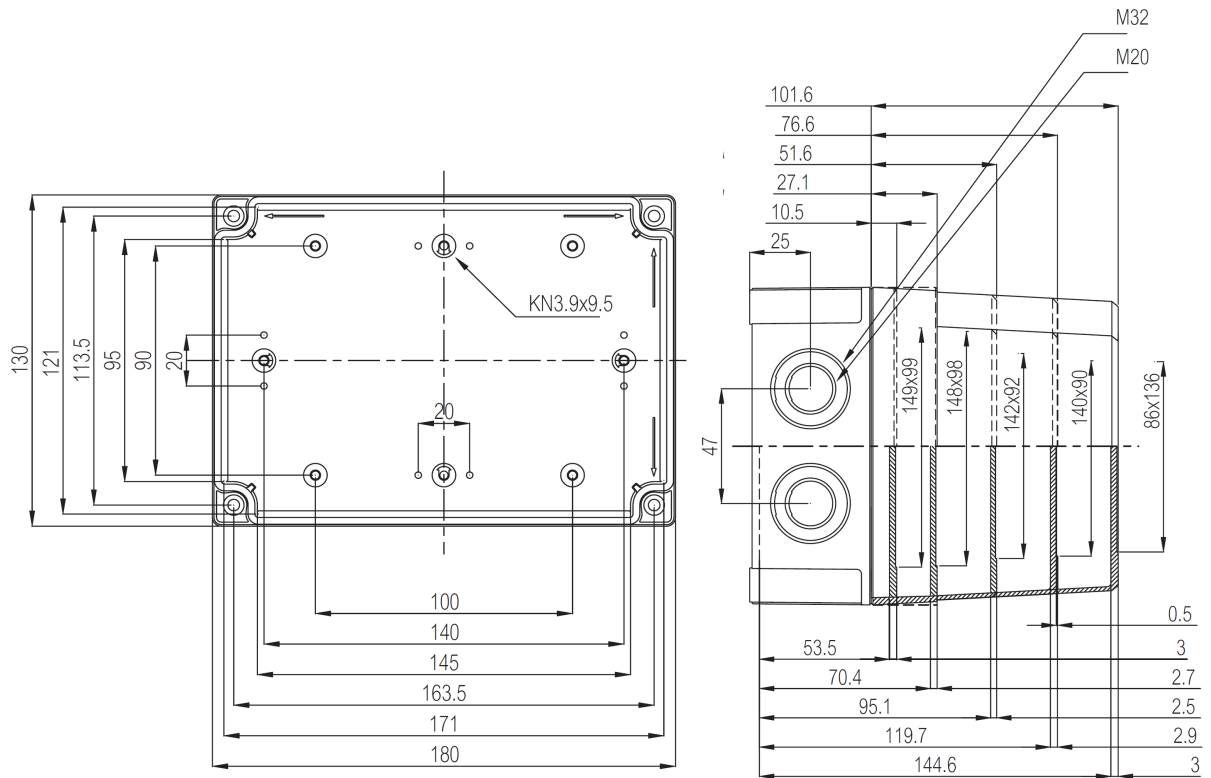
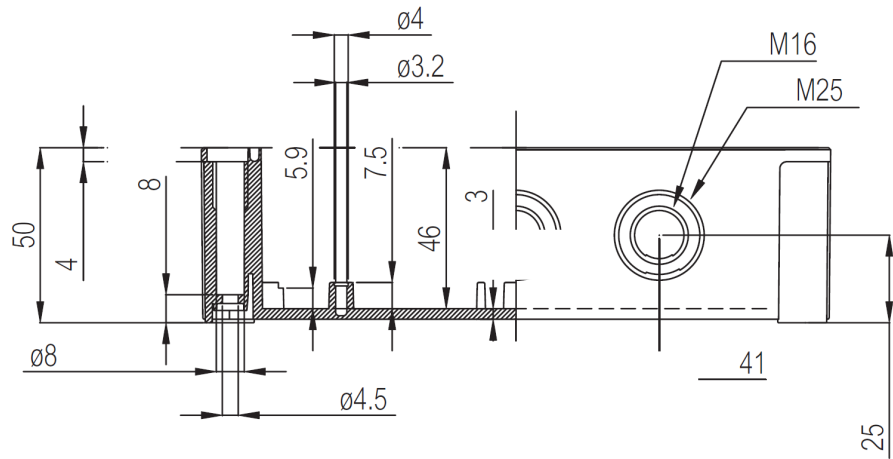
ACCESSORIES

MOUNTING PLATE:	AVAILABLE
MOUNTING RAIL:	AVAILABLE
CABEL GLAND:	AVAILABLE

RESTRICTED INFORMATION HANDED OUT BY BREUELL INGENIEURBÜRO GMBH. ANY UNAUTHORISED COPYING, DISCLOSURE OR DISTRIBUTION OF THE MATERIAL IN THIS DOCUMENT IS STRICTLY FORBIDDEN. PRIOR ACKNOWLEDGEMENT REQUESTED.

DOCUMENT	BXPFFPCG180130100-M01
VERSION	1.0
FORM	TECHNICAL INFORMATION

TECHNICAL DRAWING



RESTRICTED INFORMATION HANDED OUT BY BREUELL INGENIEURBÜRO GMBH. ANY UNAUTHORISED COPYING, DISCLOSURE OR DISTRIBUTION OF THE MATERIAL IN THIS DOCUMENT IS STRICTLY FORBIDDEN. PRIOR ACKNOWLEDGEMENT REQUESTED.