

DOCUMENT	BXPKABS16020098-H02
VERSION	1.0
FORM	TECHNICAL INFORMATION



TERMINAL JUNCTION BOX SERIES HANSE

ORDER NO.: BXPKABS16020098-H02

EAN: 4260543451318



DESCRIPTION

PRODUCTTYPE:	TERMINAL JUNCTION BOX
OUTER DIMENSIONS:	160x200x98 mm
INNER DIMENSIONS:	152x190x86 mm (MINUS MOUNTING AREA)
COLOUR:	RAL7035 LIGHT GREY
WEIGHT:	547g
MATERIALS:	ABS
SCOPE OF DELIVERY:	INCL. BASE, COVER WITH FOAMED-IN SEAL, MOUNTING SCREWS MADE OF STAINLESS STEEL V2A, SEALING PLUG, SEALING MEMBRANE

TECHNICAL DATA

PROTECTION DEGREE:	IP66 (IP55 WITHOUT SEALING PLUG)
IMPACT RESISTANCE:	IK 07
OPERATING TEMPERATURE:	-20°C ... +40°C WITHOUT MECHANICAL LOAD
RESISTANCE:	ALKALI, OILS, SALTS, ETC.
APPROVAL:	CE, ROHS
TERMINAL TYPE:	5 POLES $\leq 25\text{MM}^2$ - 80A - AC400V 3~ $\geq 35\text{MM}^2$ - 100A - AC250V 1~

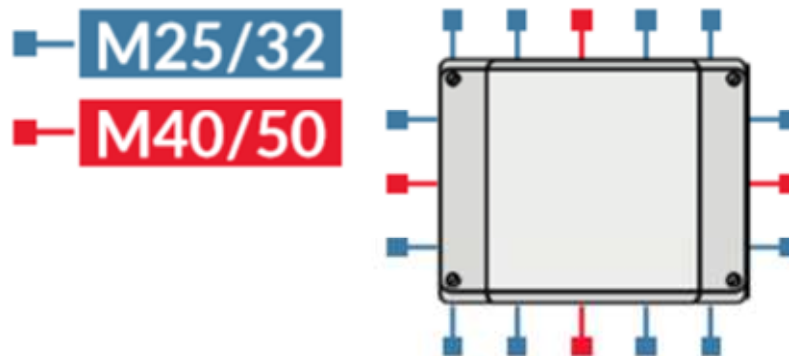
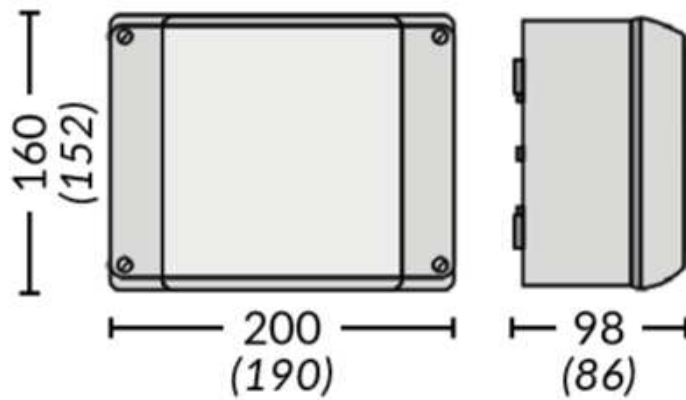
ACCESSORIES

CABEL GLAND:	AVAILABLE
GROMMET:	INCLUDED (3 x M32, \varnothing 9-23mm)
CONNECTION TERMINAL:	INCLUDED

RESTRICTED INFORMATION HANDED OUT BY BREUELL INGENIEURBÜRO GMBH. ANY UNAUTHORISED COPYING, DISCLOSURE OR DISTRIBUTION OF THE MATERIAL IN THIS DOCUMENT IS STRICTLY FORBIDDEN. PRIOR ACKNOWLEDGEMENT REQUESTED.

DOCUMENT	BXPKABS16020098-H02
VERSION	1.0
FORM	TECHNICAL INFORMATION

TECHNICAL DRAWING



RESTRICTED INFORMATION HANDED OUT BY BREUELL INGENIEURBÜRO GMBH. ANY UNAUTHORISED COPYING, DISCLOSURE OR DISTRIBUTION OF THE MATERIAL IN THIS DOCUMENT IS STRICTLY FORBIDDEN. PRIOR ACKNOWLEDGEMENT REQUESTED.