

DOCUMENT	BXPFAG540270160-P01
VERSION	1.0
FORM	TECHNICAL INFORMATION



WALL MOUNTING CABINET SERIES PERLE

ORDER NO.: BXPFAG540270160-P01

EAN: 4260543451332



DESCRIPTION

PRODUCTTYPE:	WALL MOUNTING CABINET
OUTER DIMENSIONS:	540x270x160 mm
INNER DIMENSIONS:	525x250x150 mm (MINUS MOUNTING AREA)
CLOSURE:	GREY DOOR WITH HINGE FOR THE LONG SIDE AND 6 COVER SCREWS
COLOUR:	RAL7035 LIGHT GREY
WEIGHT:	2400g
MATERIALS:	ABS
SCOPE OF DELIVERY:	INCL. DOOR WITH PUR SEAL, MOUNTING SCREWS, INTERNAL HINGE

TECHNICAL DATA

PROTECTION:	IP 67
IMPACT RESISTANCE:	IK10
AMBIENT TEMPERATURE RANGE:	-40°C ... +80°C UL94HB

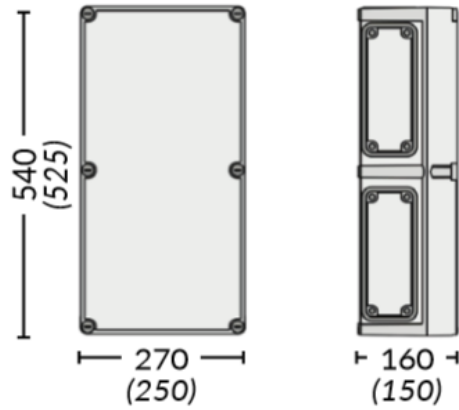
ACCESSORIES

CABEL GLAND:	AVAILABLE
MOUNTING RAIL:	AVAILABLE

RESTRICTED INFORMATION HANDED OUT BY BREUELL INGENIEURBÜRO GMBH. ANY UNAUTHORISED COPYING, DISCLOSURE OR DISTRIBUTION OF THE MATERIAL IN THIS DOCUMENT IS STRICTLY FORBIDDEN. PRIOR ACKNOWLEDGEMENT REQUESTED.

DOCUMENT	BXPFA540270160-P01
VERSION	1.0
FORM	TECHNICAL INFORMATION

TECHNICAL DRAWING



RESTRICTED INFORMATION HANDED OUT BY BREUELL INGENIEURBÜRO GMBH. ANY UNAUTHORISED COPYING, DISCLOSURE OR DISTRIBUTION OF THE MATERIAL IN THIS DOCUMENT IS STRICTLY FORBIDDEN. PRIOR ACKNOWLEDGEMENT REQUESTED.