

| | |
|----------|-----------------------|
| DOCUMENT | BXPPABSB300400170-F01 |
| VERSION | 1.0 |
| FORM | TECHNICAL INFORMATION |



WALL MOUNTING CABINET SERIES FLEET BLACKLINE



ORDER NO.: BXPPABSB300400170-F01

EAN: 4260543452421

DESCRIPTION

| | |
|---------------------------|---|
| PRODUCTTYPE: | WALL MOUNTING CABINET |
| OUTER DIMENSIONS: | 400x300x170 mm |
| INNER DIMENSIONS: | 356x249x156 mm (MINUS MOUNTING AREA) |
| CLOSURE: | DOOR WITH HINGE ON THE LONG SIDE AND 2-POINT CLOSURE |
| COLOUR: | RAL 9005 BLACK |
| WEIGHT: | 3000g |
| MATERIALS: | ABS |
| SCOPE OF DELIVERY: | BASE, DOOR WITH RUBBER GASKET, MOUNTING PLATE (SHEET STEEL, GALVANIZED), 4 PCS. WALL MOUNTING BRACKET, TRIANGLE LOCKING KEY, MOUNTING SCREWS |

TECHNICAL DATA

| | |
|-------------------------------|---------------------------|
| PROTECTION DEGREE: | IP65 |
| IMPACT RESISTANCE: | IK08 |
| OPERATING TEMPERATURE: | -35°C... +65°C |
| RESISTANCE: | ALKALI, OILS, SALTS, ETC. |
| APPROVAL: | CE, ROHS |

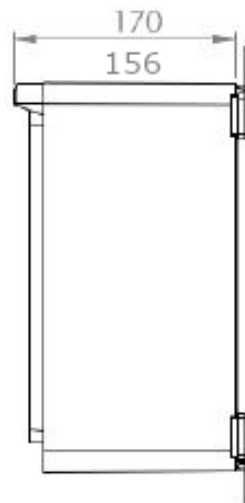
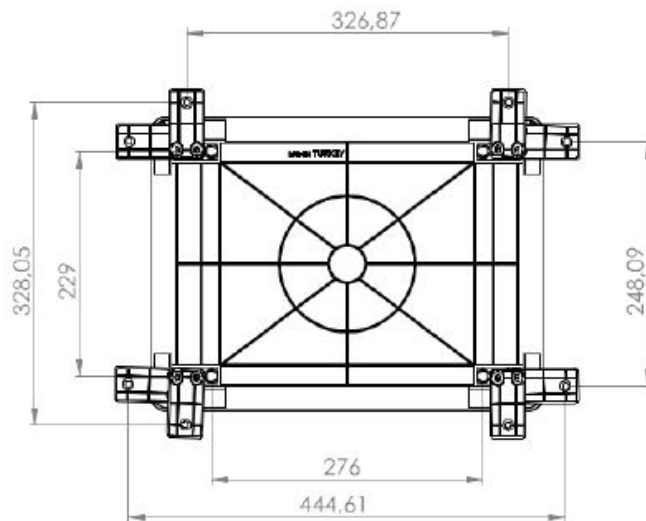
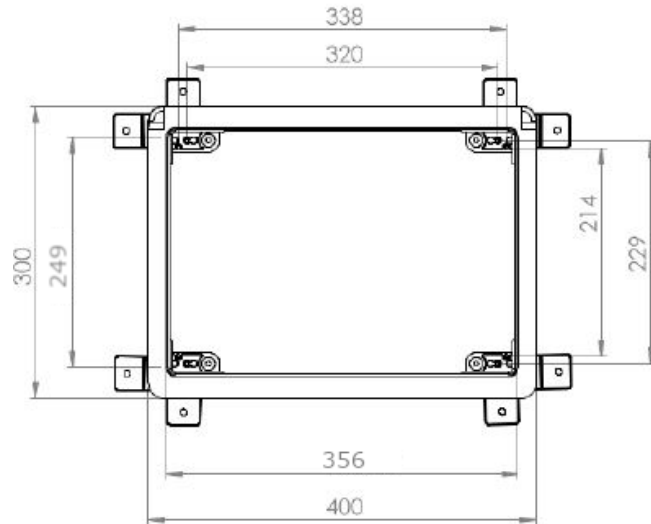
ACCESSORIES

| | |
|-------------------------------|----------------------|
| MOUNTING PLATE: | INCLUDED |
| WALL MOUNTING BRACKET: | INCLUDED |
| SECURITY LOCK: | AVAILABLE (BXPPLOCK) |

RESTRICTED INFORMATION HANDED OUT BY BREUELL INGENIEURBÜRO GMBH. ANY UNAUTHORISED COPYING, DISCLOSURE OR DISTRIBUTION OF THE MATERIAL IN THIS DOCUMENT IS STRICTLY FORBIDDEN. PRIOR ACKNOWLEDGEMENT REQUESTED.

| | |
|----------|-----------------------|
| DOCUMENT | BXPPABSB300400170-F01 |
| VERSION | 1.0 |
| FORM | TECHNICAL INFORMATION |

TECHNICAL DRAWING



RESTRICTED INFORMATION HANDED OUT BY BREUELL INGENIEURBÜRO GMBH. ANY UNAUTHORISED COPYING, DISCLOSURE OR DISTRIBUTION OF THE MATERIAL IN THIS DOCUMENT IS STRICTLY FORBIDDEN. PRIOR ACKNOWLEDGEMENT REQUESTED.