

DOCUMENT	BXPFAT300400210-P01
VERSION	1.0
FORM	TECHNICAL INFORMATION



## WALL MOUNTING CABINET SERIES PERLE

ORDER NO.: BXPFAT300400210-P01

EAN: 4260543450519



### DESCRIPTION

<b>PRODUCTTYPE:</b>	WALL MOUNTING CABINET
<b>OUTER DIMENSIONS:</b>	300x400x210 mm
<b>INNER DIMENSIONS:</b>	261x361,5x180 mm (MINUS MOUNTING AREA)
<b>CLOSURE:</b>	GREY DOOR WITH WINDOW, HINGE ON THE SHORT SIDE AND 2-POINT CLOSURE
<b>COLOUR:</b>	RAL7035 LIGHT GREY
<b>WEIGHT:</b>	4800g
<b>MATERIALS:</b>	POLYCARBONATE
<b>SCOPE OF DELIVERY:</b>	CONTROL CABINET BOTTOM PART, DOOR WITH PUR SEAL, MOUNTING PLATE (STEEL, GALVANIZED), MOUNTING SCREWS, 3MM DOUBLE-BIT SASH LOCK

### TECHNICAL DATA

<b>PROTECTION:</b>	IP 66 AS PER DIN EN 60529/DIN 40050
<b>IMPACT RESISTANCE:</b>	IK10 +35°C /IK08 -25°C AS PER IEC 62262, EN 50102
<b>AMBIENT TEMPERATURE RANGE:</b>	-40°C ... +80°C AS PER DIN EN 60670

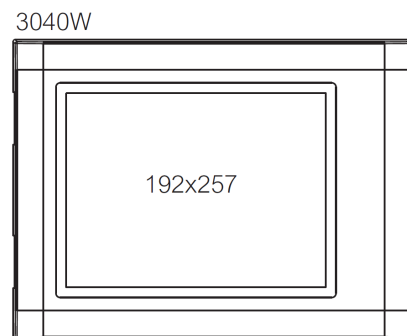
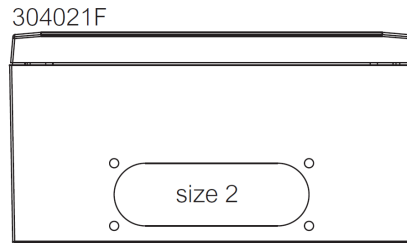
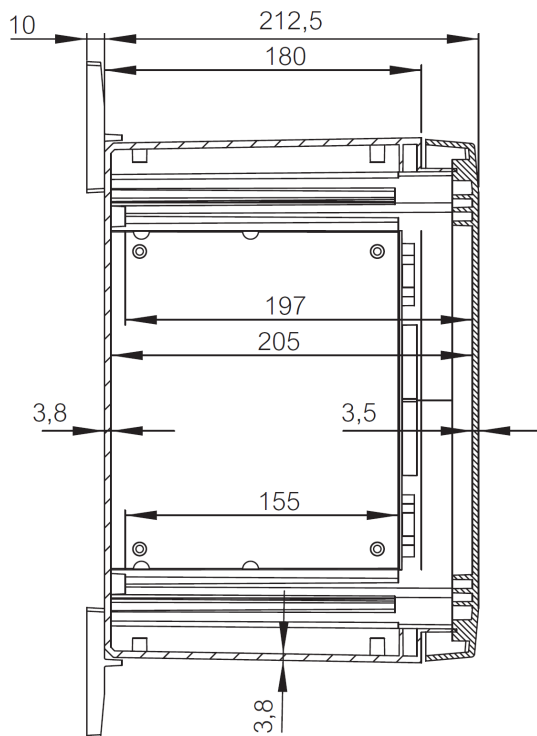
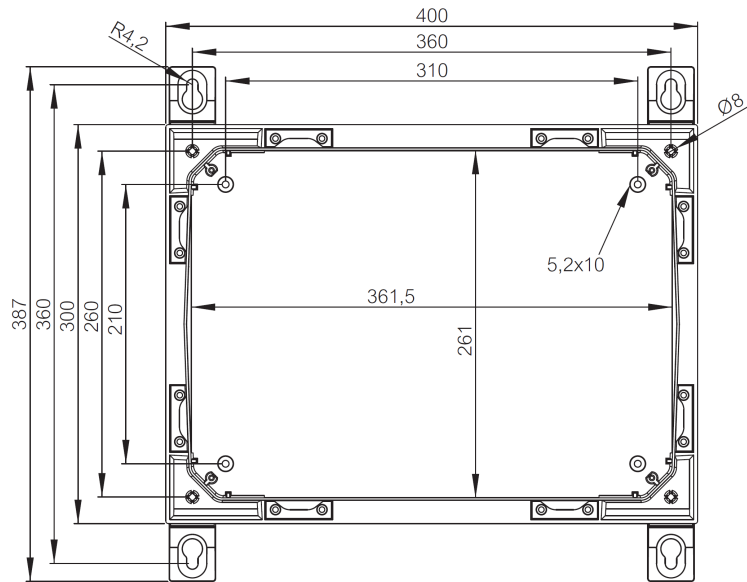
### ACCESSORIES

<b>MOUNTING PLATE:</b>	INCLUDED
<b>WALL MOUNTING BRACKET:</b>	AVAILABLE
<b>CABEL GLAND:</b>	AVAILABLE
<b>CORNER PROFILES:</b>	AVAILABLE
<b>RAIN PROTECTION:</b>	AVAILABLE

RESTRICTED INFORMATION HANDED OUT BY BREUELL INGENIEURBÜRO GMBH. ANY UNAUTHORISED COPYING, DISCLOSURE OR DISTRIBUTION OF THE MATERIAL IN THIS DOCUMENT IS STRICTLY FORBIDDEN. PRIOR ACKNOWLEDGEMENT REQUESTED.

DOCUMENT	BXPFAT300400210-P01
VERSION	1.0
FORM	TECHNICAL INFORMATION

## TECHNICAL DRAWING



RESTRICTED INFORMATION HANDED OUT BY BREUELL INGENIEURBÜRO GMBH. ANY UNAUTHORISED COPYING, DISCLOSURE OR DISTRIBUTION OF THE MATERIAL IN THIS DOCUMENT IS STRICTLY FORBIDDEN. PRIOR ACKNOWLEDGEMENT REQUESTED.